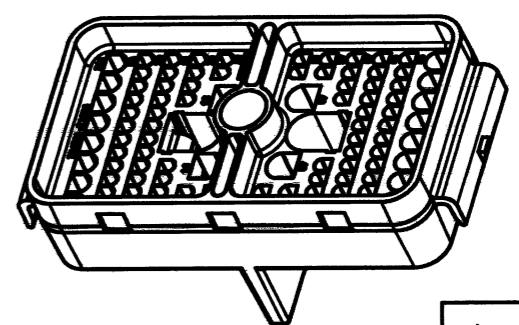
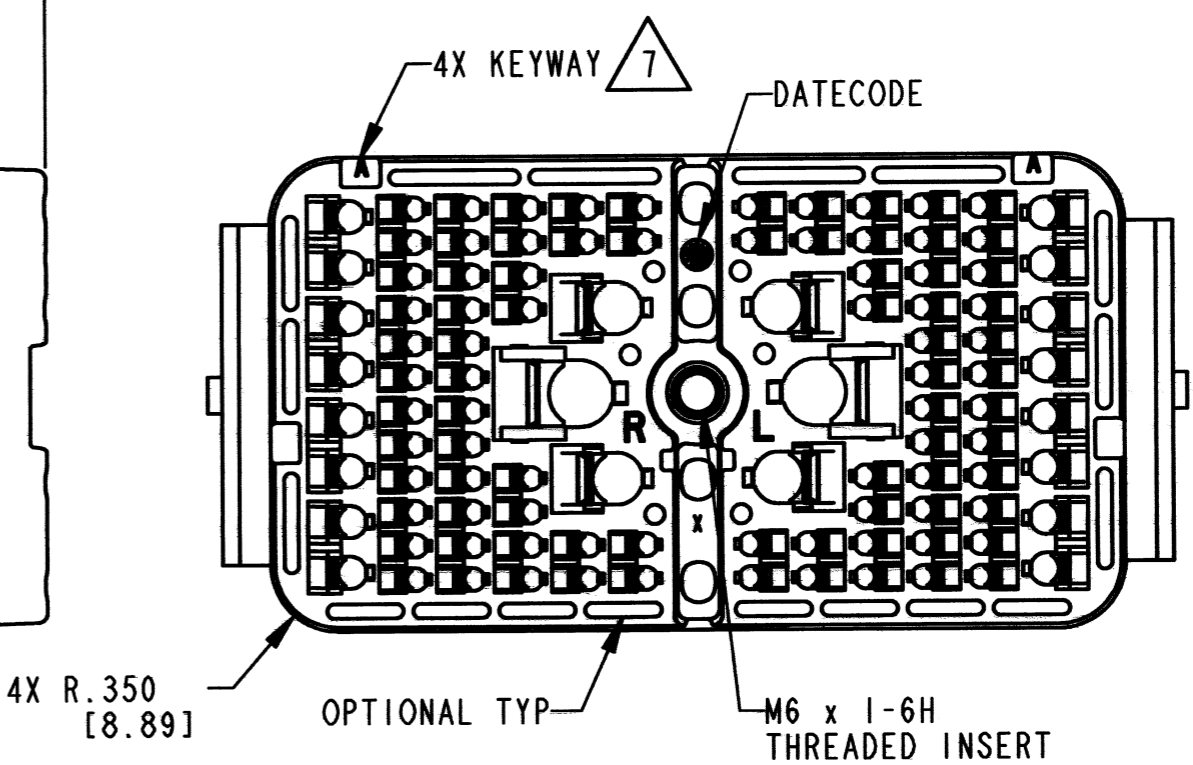
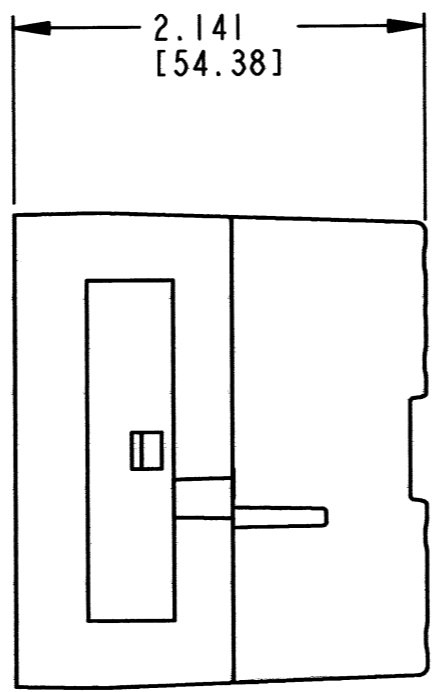
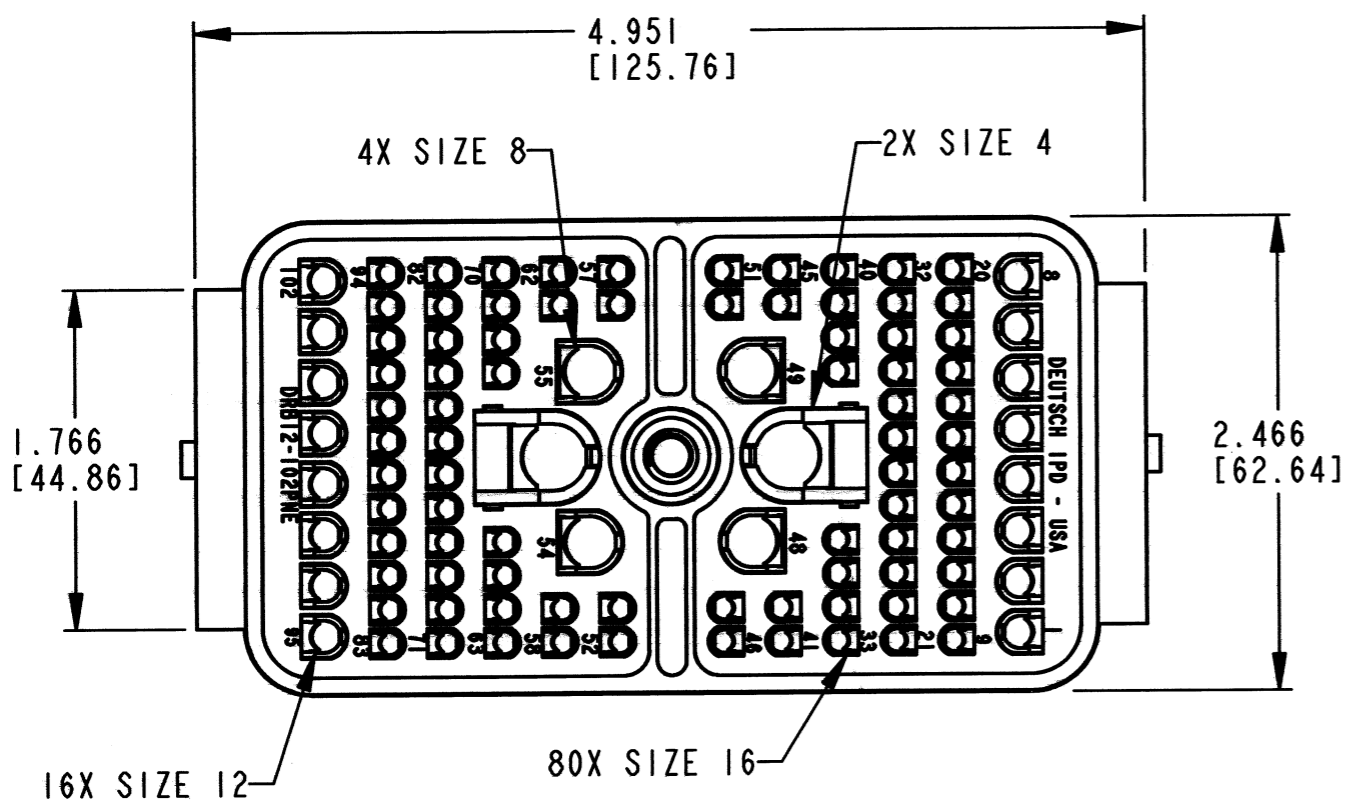


REV
A
DRB12-102P*NE

REVISIONS			
SYM	DESCRIPTION	DATE	APPROVED
NC	REDRAWN & REPLACES PREVIOUS		
	RELEASES PER E.O. P17849	8-9-02	R.D.R.
A	RELEASE PER E.O. P21368	6-4-12	ADR



- △ SEE SHEET 2 FOR OTHER KEY ARRANGEMENTS.
- MATERIAL: RECEPTACLE: PLASTIC; INSERT: STEEL.
 - THIS RECEPTACLE MATES WITH DRB16-102S*(N)E-**** PLUG.
(* = A,B,C,D KEYS; **** = ALL MODIFICATIONS)
CONSULT FACTORY FOR MODS.
 - FOR CONTACTS AND WIRE PERFORMANCE AND APPLICATION CHARACTERISTICS, SEE INFORMATION DRAWING 0425-015-0000.
 - ITEMS SOLD SEPARATELY: SECONDARY LOCK: WB-51P*R AND WB-51P*L
INTERFACE FLANGE: DRBF-1*
 - DIMENSION TOLERANCE: ±.025 [.64].
 - DIMENSIONS ARE IN INCHES [mm].

NOTES:

SIGNATURE & DATE	
DR	D. MEYER 07/25/02
CHK	<i>Paul Land</i> 5/29/12
PE	<i>Paul Land</i> 5/29/12
APPD	<i>D. Meyer</i> 6/1/12
SCALE	NONE WT

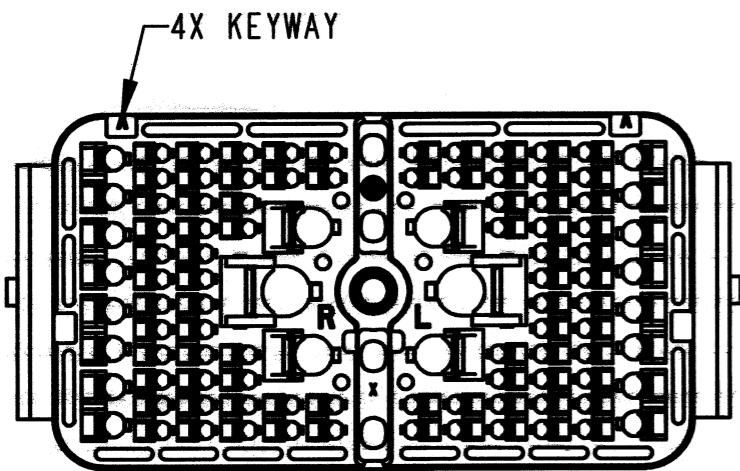
RECEPTACLE, 102 CONTACTS
KEYS: A, B, C, D
NON-ENVIRONMENTAL
COLOR: BLACK
DRB SERIES

ENVELOPE

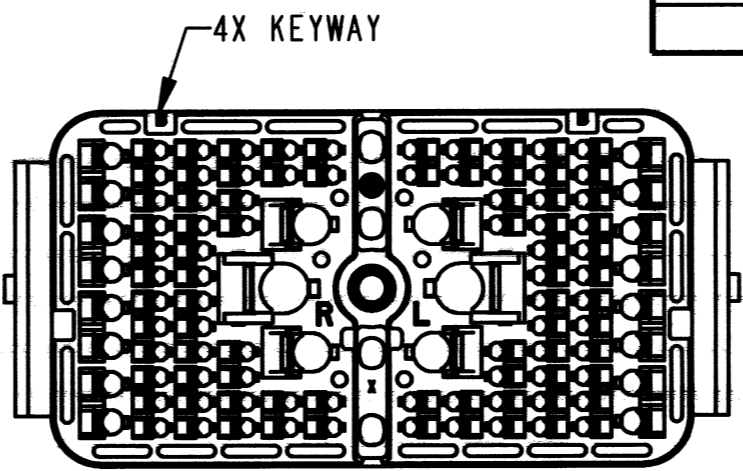
EP 046	MATL. CODE
3850 INDUSTRIAL AVE. HEMET, CA 92545	
DRB12-102P*NE	
DWG SIZE	CODE 11139 SHEET 1 OF 2

REV
A
DRB12-102P*NE

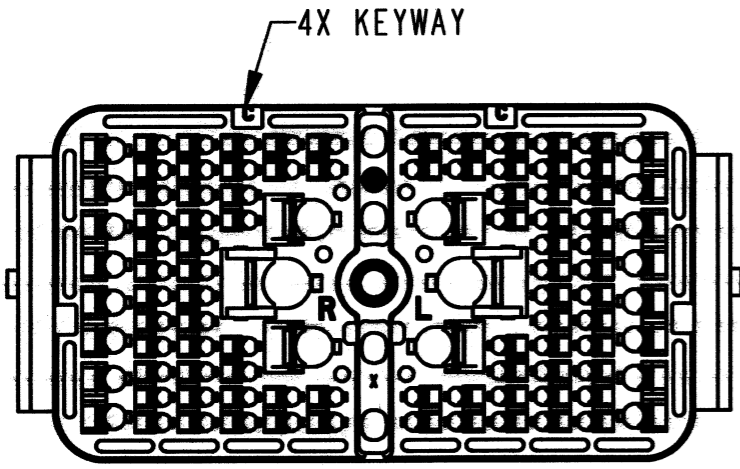
REVISIONS			
SYM	DESCRIPTION	DATE	APPROVED
A	SEE SHEET 1	6-4-12	RDE



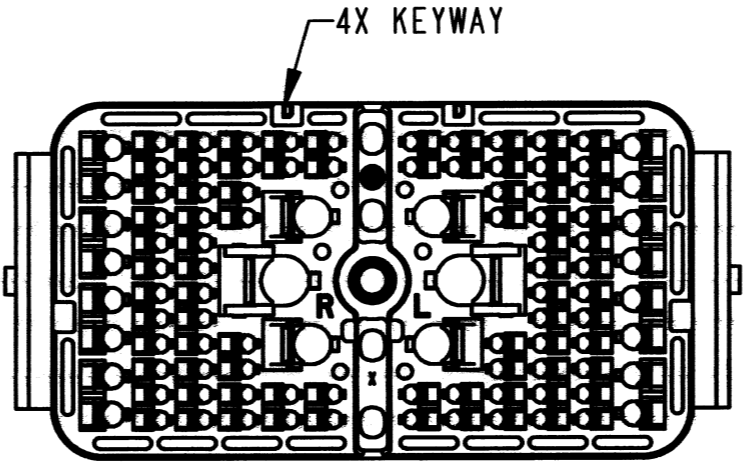
DRB12-102PANE
KEY: A



DRB12-102PBNE
KEY: B



DRB12-102PCNE
KEY: C




DRB12-102PDNE
KEY: D

NOTES:

SIGNATURE & DATE	
DR	D. MEYER 07/25/02
CHK	<i>Paul Land</i> 5/29/12
PE	<i>Paul Land</i> 5/29/12
APPD	<i>D Meyer</i> 6/1/12
SCALE	NONE WT

RECEPTACLE, 102 CONTACTS
KEYS: A, B, C, D
NON-ENVIRONMENTAL
COLOR: BLACK
DRB SERIES
ENVELOPE

EP 046	MATL. CODE
 3850 INDUSTRIAL AVE. HEMET, CA 92545	
B	DRB12-102P*NE
DWG SIZE	CODE 11139 SHEET 2 OF 2

